

SPECIFICATIONS

Diesel Engine Generator

RDA60T3S

CONTENTS

CHAPTER 1: GENERAL.....1

- 1. Standards**
- 2. Design Conditions**
- 3. Test and Check**
- 4. Painting**
- 5. Structure**

CHAPTER 2: SPECIFICATIONS.....2

CHAPTER 3: EQUIPMENT AND FEATURE.....3

- 1. Equipment**
 - (1) Generator**
 - (2) Safety Device**
 - (3) Equipment**
- 2. Feature.....4**
 - (1) Feature**
 - (2) Protection Device**
 - (3) Fuel Economy**
 - (4) Accessories**

CHAPTER 4: APPEARANCE.....5

CHAPTER 1: GENERAL

1. Standards

Design and production are in conformity with:

- (1) Japan Industrial Standards: JIS C 9300-1
- (2) Low Noise Type Construction Machinery Standard
- (3) Voluntary Emission Regulations for non-road engines in Japan by LEMA. (Tier 3)
- (4) EPA Tier 3 Emission

*LEMA stands of Japan Land Engine Manufacturers Association.

2. Design Conditions

- (1) Installation Place: Outside Only.
- (2) Ambient Temperature: -15 to +40°C (5 to 104°F)
- (3) Humidity: Less than 80%
- (4) Altitude: Less than 300 meters (984 ft.) above sea level

3. Test and Check

Test shall be done with a complete workable unit of the diesel engine unit.

Check Items:

- (1) Insulation and Dielectric Test
- (2) Starting
- (3) Protection Device Working Test
- (4) Voltage Deviation and Speed Variation: 0-4/4 Load
- (5) Load Test: Welding and Generating 4/4 Load

4. Painting

Painting and color specifications are as per manufacturer's standard.

5. Structure

- (1) Bed and Vibration Proof Device

Alternator is directly coupled with engine and both are installed on the bed through the vibration proof device.

- (2) Low Noise

Low noise structure is put in the inside of the bonnet.

Sound Level: 60dB(A) @7m distance under no load, 1800 min⁻¹.

- (3) Fuel Tank

A steel fuel tank is equipped and incorporated with the electrical level gauge.

CHAPTER 2: SPECIFICATIONS

Model		Unit		RDA60T3s
Alternator	Generator Type	-		Revolving Field Brushless AC Simultaneous 3-Phase-120V/240V, Single Phase
	Rated Frequency	Hz		60
	Rated Output	3-phase	kVA	60
			kW	48
		Single phase	kVA	36/ [18] *1
			kW	36/ [18] *1
	Rated Voltage	3-phase	V	208/240/ [480] *1
		Single phase	V	120/139/240/[277] *1
	Rated Current	3-phase-208V	A	144
		3-phase-240V	A	144
		3-phase-480V	A	72
		Single phase-120V	A	150×2 [75 x 2]*1
		Single phase-240V	A	150 [75]*1
Power Factor	-		3-phase 0.8, Single phase 1.0	
Insulation class	-		F	
Excitation	-		Self Excitation (brushless)	
No. of Poles	-		4	
Engine	Type	-		Vertical Water-Cooled 4-Cycle Diesel
	Model(Manufacturer)	-		Kubota V3800DI-TI
	No. of Cylinders (bore × stroke)	(in./mm)		4 (3.94×4.72/100×120)
	Continuous Rated Output	hp		77
	Rated Speed	rpm		1800
	Displacement	cu.in./liters		230/3.769
	Combustion System	-		Direct Injection (Turbo-charged)
	Cooling Method	-		Radiator
	Lubricating Method	-		Forced Lubrication
	Starting Method	-		Electric
	Fuel	-		No. 2-D EPA regulation
	Lubricating Oil	-		CF class or higher
	Fuel Tank Capacity	gal./liters		111/420
	Lubricant Volume	gal./liters		3.5/13.2 (including filter 0.1/0.4)
	Cooling Water Volume	gal./liters		3.3/12.5 (including sub-tank 0.4/1.6)
	Starting Motor Capacity	V-kW		12-3.0
	Charging Alternator Capacity	V-W		12-960
Battery Capacity	-		12V-92AH	
Unit	Length	in./mm		78/1970
	Width	in./mm		35/880
	Height	in./mm		64/1630
	Dry Weight	lbs./kg		2843/1290
	Installed Weight	lbs./kg		3703/1680

*Outputs shown in above *1 are when the voltage selector switch is set at 240V.

**Specifications subject to change without notice.

CHAPTER 3: EQUIPMENT AND FEATURE

1. Equipment

(1) Generator

AC Output Receptacle	
● 1-Phase Receptacle (120V).....	2 pcs.
● 1-Phase Receptacle (240/120V).....	3 pcs.
Circuit Breaker (120V).....	2 pcs.
Circuit Breaker (240/120V).....	3 pcs.
1-Phase Breaker	1 pc.
3-Phase Breaker	1 pc.

(2) Safety Device

Terminal Cover with locking structure	1 pc.
Fuel Inlet Cover with a locking key.....	1 pc.
Protection Monitor with automatic engine shutdown feature	1 set.

(3) Equipment

Electronic Display	1 set
● Oil Pressure	
● Water Temp.	
● Engine Speed	
● Output (kVA)	
● Fuel Level Meter	
Warning Monitor.....	1 set
● Battery Charge	
● Oil Pressure	
● Water Temp.	
● Over Speed	
● Air Filter	
● Spill Containment	
● Engine	
Volt Meter.....	1 pc.
Amp. Meter	1 pc.
Frequency Meter.....	1 pc.
Breaker Trip Selector	1 pc.
Hour Meter	1 pc.
Slow-Down Switch	1 pc.
Display Selector	1 pc.
Voltage Regulator	1 pc.
Amp. Meter Selector	1 pc.

2. Feature

(1) Feature

- Sound Level 60dB(A) at 7m distance under no load, 1800 min⁻¹.
- Generating Performance 1-phase & 3-phase (Simultaneous)
- 2 Way Drive Control High/Low Speed
- Environmental EPA Phase 3 Compliance, Low Sound Level
- Fuel Tank Capacity 420 Liters (111 gal.)
- Dry Weight 1,290 kg (2,843 lbs.)
- Dimensions (LxWxH) 1970 x 880 x 1630 mm (78 x 35 x 64 in.)

(2) Protection Device

Item	Set Value	Engine Shut-Down
Water Temp.	230°F	○
Oil Pressure	7 psi	○
Over Speed	2070 min ⁻¹	○
Low Battery Charge	8V	○
Air Filter	Clogging	-
Spill Containment	10 gal.	-
Engine Malfunction	-	-

(3) Fuel Economy

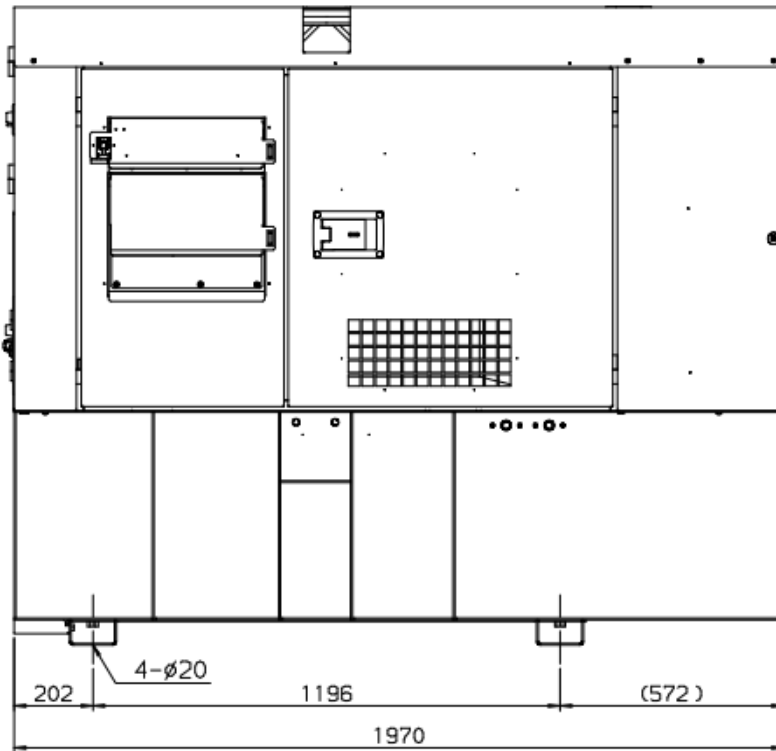
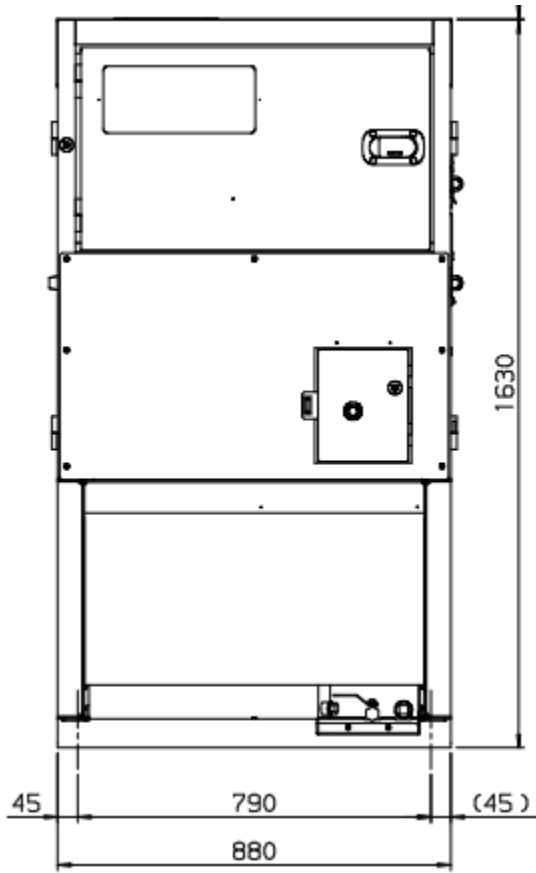
Load	Fuel Consumption
Full load	14.0L/hr. (3.69 gal./hr)
3/4 load	10.2L/hr. (2.69 gal./hr.)
1/2 load	7.2L/hr. (1.9 gal./hr.)
1/4 load	4.5L/hr. (1.18 gal./hr.)

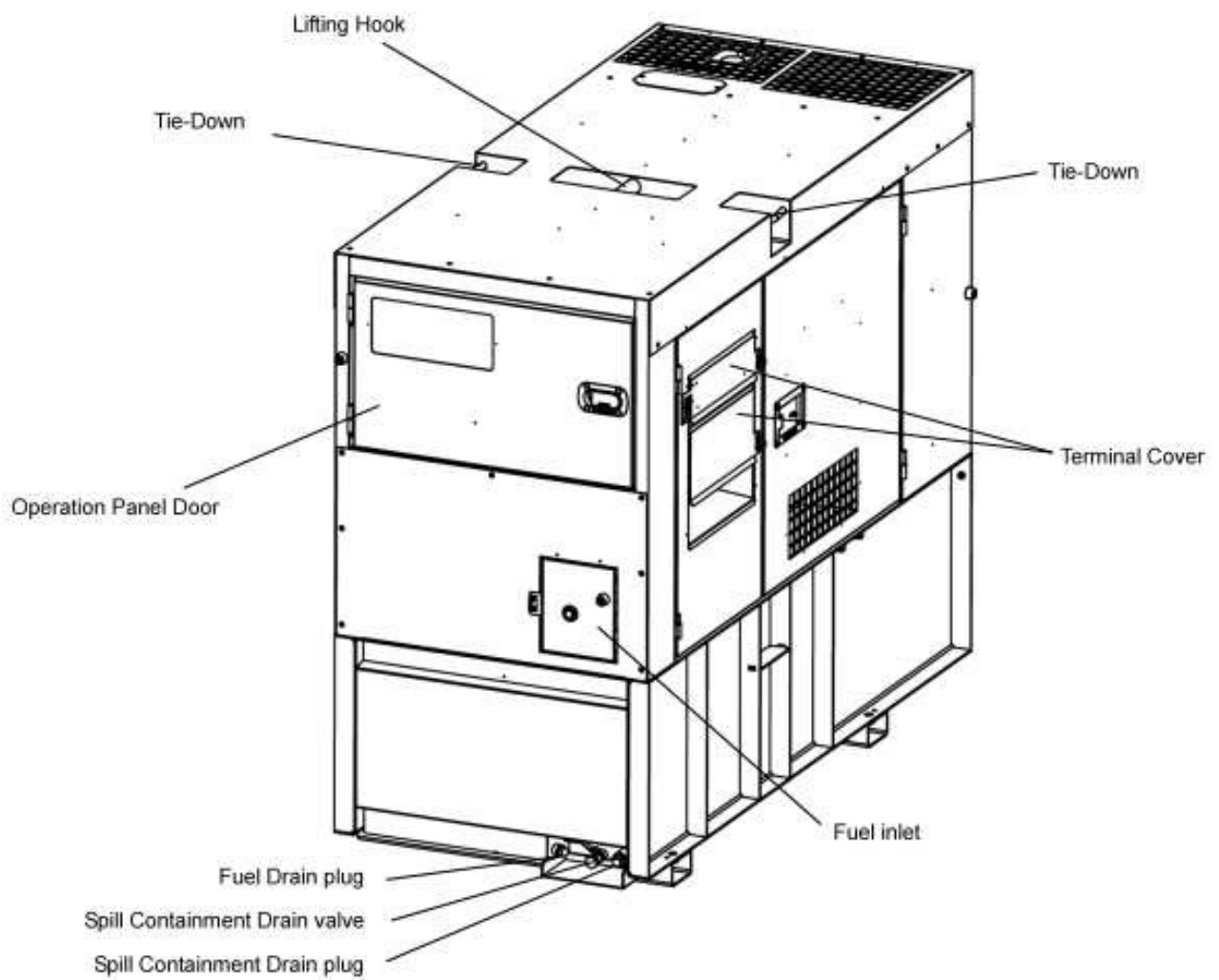
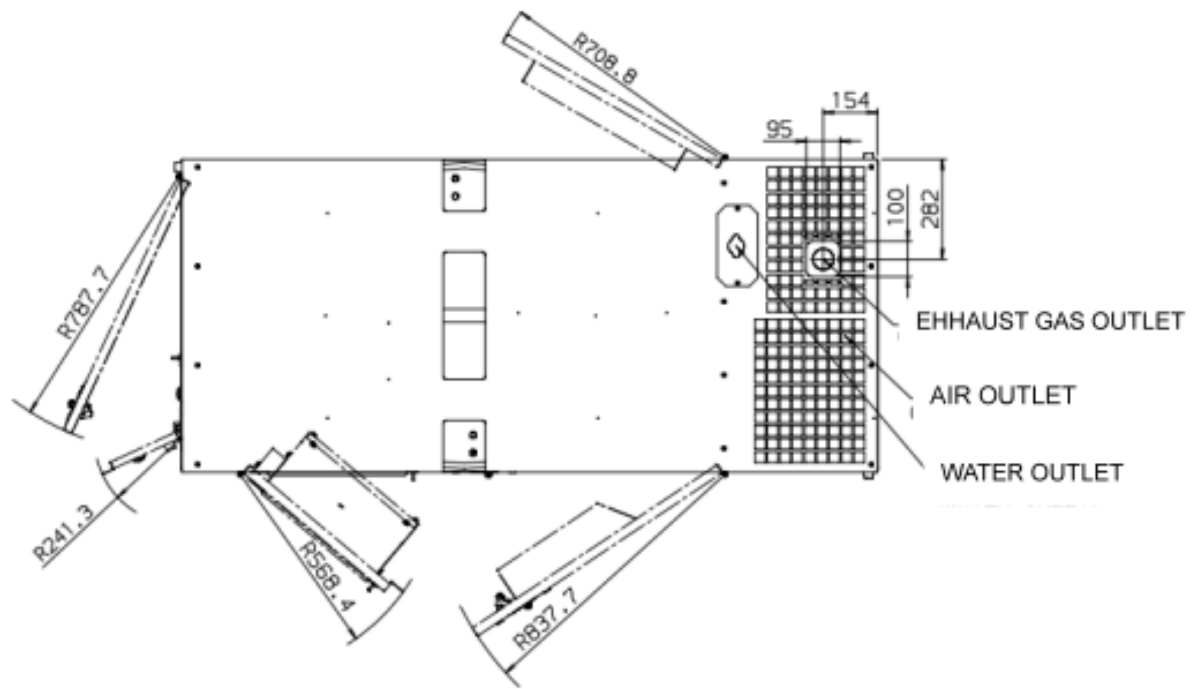
For reference only.

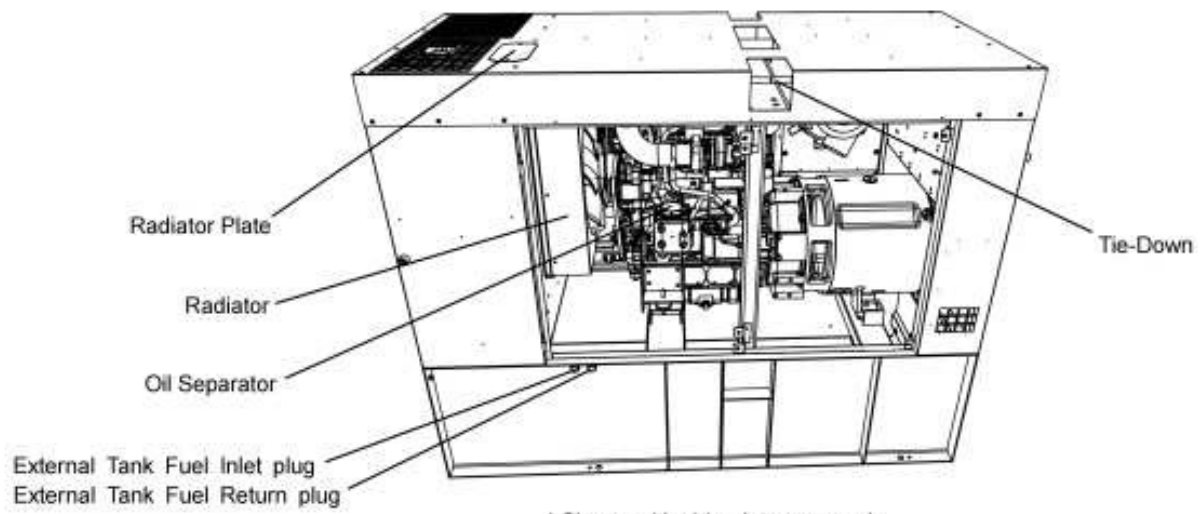
(4) Accessories

Owner's & Operator's Manual	1 copy
Engine Instruction Manual	1 copy
Engine Warranty Statement	1 copy
Starter Key	1 set (2 pcs.)

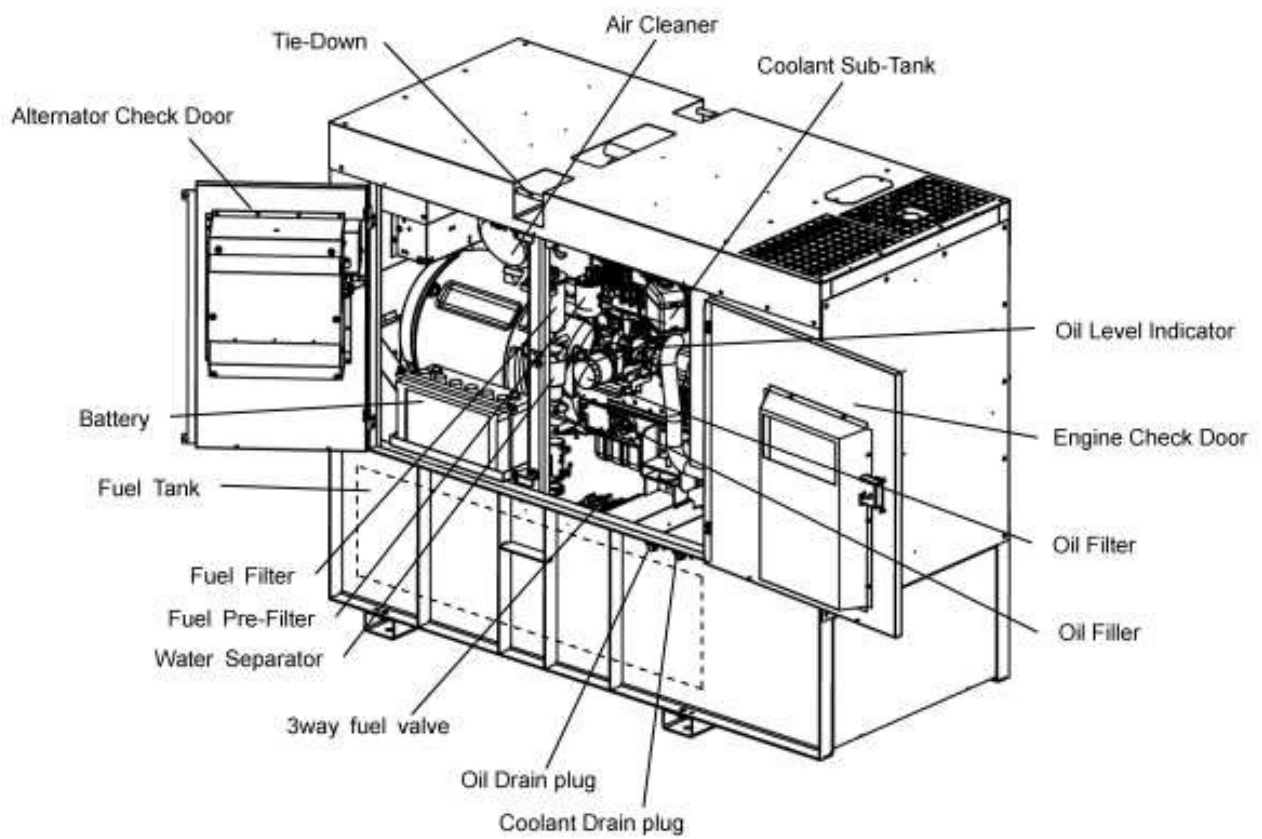
CHAPTER 4: APPEARANCE







* Shown with side-plate removed.



Red-D-Arc Welderrentals

Call us (toll free) at 1-866-733-3272 (US and Canada)
reddarc.com